

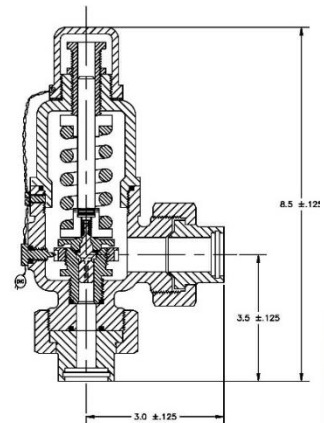
DANCO D49-15UU AIR COMPRESSOR PRESSURE RELIEF VALVE

Model Description:

Shipboard air compressor pressure relief valve in full conformance with Mil-V-22549. Inlet connection is $\frac{1}{2}$ " union end silver braze in accordance with Navy standard drawing #803-1035946. Outlet connection is $\frac{3}{4}$ " union end silver braze in accordance with Mil-F-1183. Bronze construction, bottom-guided with soft-seat design and a threaded cap. Rated to 1500 PSIG.

Features:

- Danco Valves are the industry's premier mil-spec relief valves. The valves are quick acting, non-chattering and smooth guiding. They also feature optimal sealing tightness with a unique soft-seat design.
- Shock approved in accordance with Mil-S-901C. Vibration approved in accordance with Mil-Std-167-1.
- We warranty materials and workmanship against defects for two years after the date of installation. This comprehensive warranty ensures complete manufacturer support.*
- All valves are wire sealed to prevent unauthorized tampering.
- For capacity information specific to your application, please contact us.



West Coast:

15230 Lakewood Blvd.
Bellflower, CA 90706-4240
Phone: 562-866-6680
Fax: 562-925-7007

East Coast:

1324 Ballentine Blvd.
Norfolk, VA 23504-3808
Phone: 757-605-6100
Fax: 757-605-6101

For more information:

 DanteValve.com
 888-212-3222

Standard Materials:

- Body: Bronze/ASTM B61
- Bonnet & Cap: Naval Brass/ASTM B21
- Seat & Stem: CRES 304/ASTM A276
- Spring: See Chart
- Disc Assembly:
 - Disc: CRES 303/ASTM A582
 - Disc Insert: Polysulfone/P1700 Natural -11

Optional Materials:

Valve materials can be customized for your specific application or in accordance with specification requirements.

Weights & Dimensions:

- Overall Height: 8.5"
- Center-to-Inlet Face: 3.5"
- Center-to-Outlet Face: 3.0"
- Unit Weight: 7 LBS.

Note: Dimensions include Union Nuts & Tailpieces

*Please visit www.DanteValve.com/support for additional information.

**DANTE
VALVE**



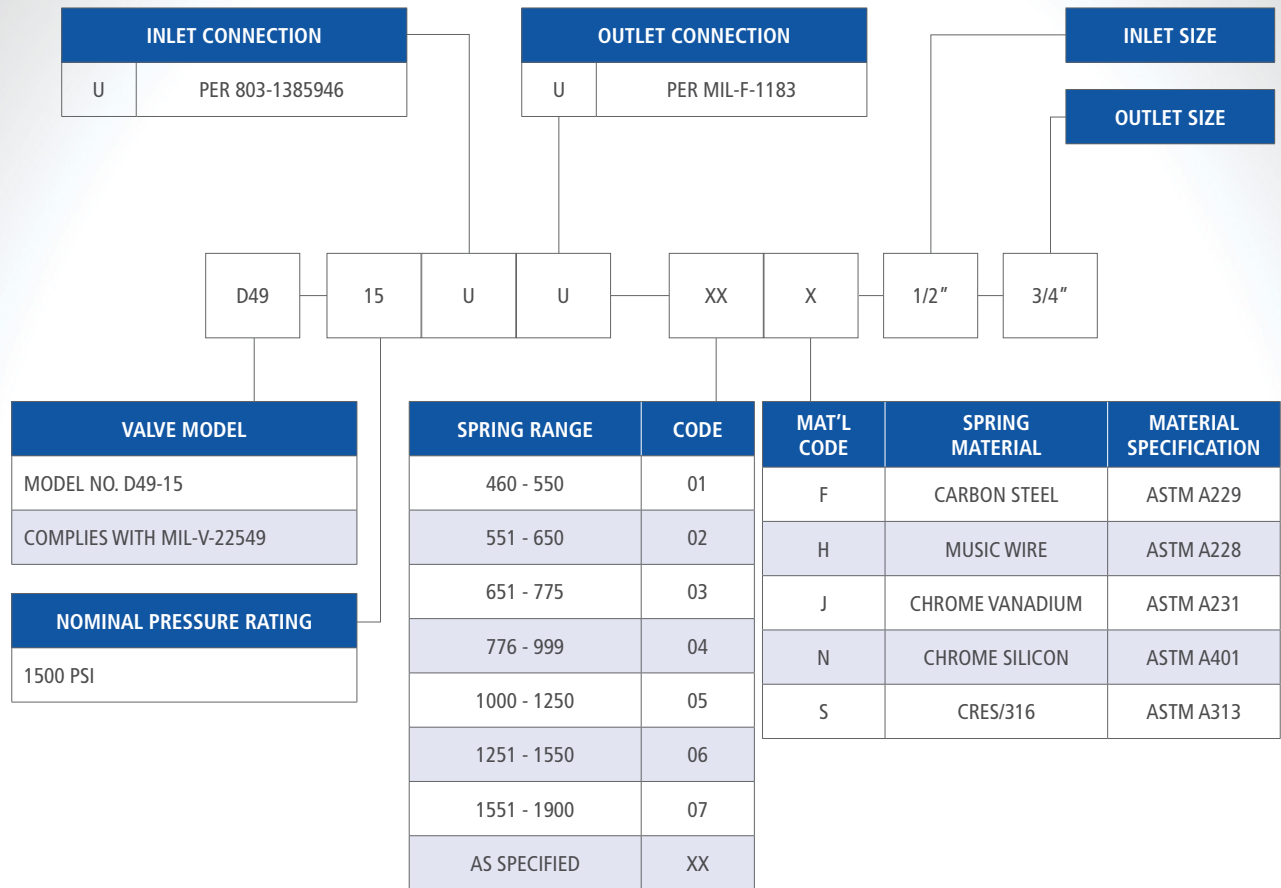
Distributors of:


For more information:

 DanteValve.com

 888-212-3222

DANCO VALVE IDENTIFICATION SYSTEM



 **WARNING:** This product can expose you to chemicals including chromium, which is known to the State of California to cause cancer or birth defects or other reproductive harm. For more information go to www.P65Warnings.ca.gov.

DANTE VALVE



Distributors of:

For more information:

 DanteValve.com

 888-212-3222