



KUNKLE MODELS 1 AND 2 SAFETY VALVES

SAFETY AND RELIEF PRODUCTS

Brass safety valves to ASME Section VIII, 'UV', that are National Board certified for air, gas or steam services

MODEL 1



FEATURES

- Top or side outlet models available.
- Compact assembly requires minimum space.
- Precision lapped, metal-to-metal beveled seat provides premium shut-off.
- Warn ring for precise opening with minimum pre-open or simmer.
- Tested and inspected for pressure setting and leakage.
- Optional vibration dampener on lift lever.
- Optional nickel plating for use on institutional equipment.

GENERAL APPLICATION

Brass safety valves for use on air and non-hazardous gas services including portable or stationary air/gas compressors; pressure vessels including tanks, receivers, intercoolers, aftercoolers and on steam turbines, kettles and other steam-processing equipment.

TECHNICAL DATA

Connections: Threaded NPT
Temperature range: -60° to 406°F (-51° to 208°C)
Pressure range: 5 to 250 psig (0.34 to 17.2 barg)
Code: ASME VIII



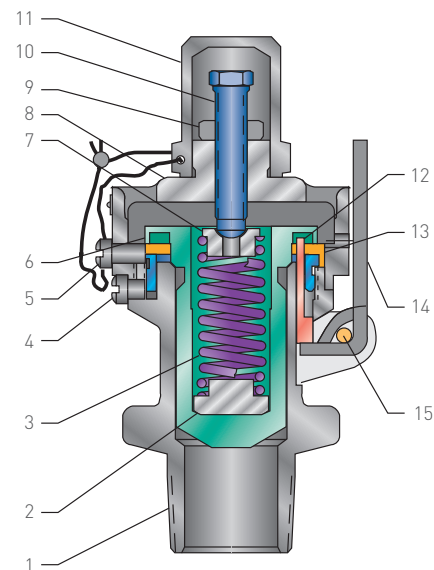
KUNKLE MODELS 1 AND 2 SAFETY VALVES

SAFETY AND RELIEF PRODUCTS

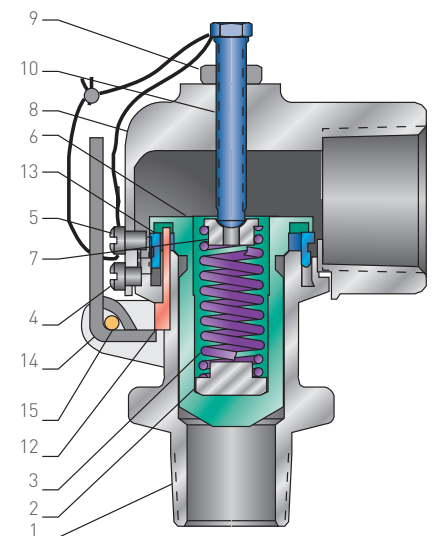
PARTS AND MATERIALS (MODELS 1 AND 2)

No.	Part name	Material
1	Body	Brass SB283-485
2	Bottom spring step	Brass B16
3	Spring	SS A313-T631, 17-7
4	Body lock screw	SS Commercial
5	Regulator ring lock screw	SS Commercial
6	Disc	Brass SB283-485
7	Top spring step	Brass B16
8	Bonnet	Brass SB283-485 or bronze SB584-84400
9	Jam nut	SS 18-8
10	Compression screw	Brass B16
11	Cap	Brass B16
12	Lift pin	Brass B16
13	Regulator ring	Brass B16
14	Lever	Steel 1070
15	Rivet	Nickel plated commercial brass

MODEL 1 (TOP OUTLET)



MODEL 2 (SIDE OUTLET)



KUNKLE MODELS 1 AND 2 SAFETY VALVES

SAFETY AND RELIEF PRODUCTS

CAPACITIES FOR NON-CODE¹ AND ASME SECTION VIII AIR, (SCFM) AT 60°F

Set pressure (psig)	½" and ¾"	1"
5	27	46
10	37	64
15	47	80
20	54	92
25	60	103
30	67	114
35	74	126
40	80	137
45	87	148
50	93	159
55	99	170
60	105	180
65	111	191
70	116	200
75	122	210
80	127	219
85	132	228
90	137	237
95	142	246
100	146	254
105	151	262
110	155	269
115	159	277
120	163	284
125	167	291
130	171	297
135	174	303
140	178	309
145	181	315
150	184	320
155	187	326
160	189	330
165	192	335
170	194	339
175	197	343
180	199	347
185	201	350
190	202	354
195	204	357
200	206	359
205	207	361
210	208	363
215	207	361
220	208	363
225	210	365
230	210	367
235	211	368
240	212	369
245	213	370
250	214	370

CAPACITIES FOR NON-CODE¹ AND ASME SECTION VIII STEAM, (LB/H) AT SATURATED STEAM TEMPERATURE

Set pressure (psig)	½" and ¾"	1"
5	84	142
10	115	195
15	133	226
20	152	258
25	170	289
30	187	320
35	207	353
40	225	385
45	243	417
50	261	448
55	278	478
60	295	507
65	311	535
70	327	563
75	342	590
80	357	616
85	371	641
90	385	666
95	399	690
100	411	713
105	424	735
110	436	757
115	448	777
120	459	797
125	469	816
130	480	835
135	489	852
140	499	869
145	508	885
150	516	900
155	524	915
160	532	928
165	539	941
170	546	953
175	552	964
180	558	975
185	564	985
190	569	993
195	574	1002
200	578	1009
205	582	1015
210	585	1021
215	589	1026
220	591	1030
225	594	1034
230	596	1036
235	597	1038
240	599	1039
245	599	1039
250	600	1039

NOTE

1. No code stamp of 'NB' on nameplate below 15 psig set.

KUNKLE MODELS 1 AND 2 SAFETY VALVES

SAFETY AND RELIEF PRODUCTS

DIMENSIONS

Model	Inlet size, in		Dimensions, in			Min/max pressure (psig)	Min/max temperature (°F)	Approximate weight (lb)
	MNPT	FNPT	A	B	C			
1	1/2, 3/4	N/A	1.59	0.94	3.37	5/250	-60/406	3/4
1	1	N/A	2.22	1.25	4.47	5/250	-60/406	1 1/4
2	1/2, 3/4	3/4	2.31	1.19	3.75	5/250	-60/406	1
2	1	1	3.09	1.82	5.00	5/250	-60/406	2 1/4

Dimensions are for reference only

SELECTION GUIDE

Example: 0001 - C 01 - K C 0125

Model	0001							
0002								
Inlet size								
C	1/2"							
D	3/4"							
E	1"							
Variation								
01	Catalog standard (C and D inlet size only)							
02	Vibration dampener (Model 1 only)							
03	Nickel plate (D inlet size only)							
Design revision								
Indicates non-interchangeable revision								
Dash (-) if original design								
Valve service								
K	Air/gas ASME section VIII							
L	Steam ASME section VIII							
N	Non-code air/gas (<15 psig)							
P	Non-code steam (<15 psig)							
Spring material								
C	Steel or stainless steel							
Set pressure	5 psig (0005) through 250 psig (0250)							

